

# Modular 'Red' Pontoons



Type of vessel:	Modular Pontoons
Length o.a.:	16 m
Breadth o.a.:	4.1 m
Depth o.a. Hull:	1.71 m
Deck Area	65.6m <sup>2</sup>
Max Leg Length:	25m
Leg Diameter:	0.41 m
Gross Tonnage:	32.47 Tonnes Each
Lightship Weight:	20 Tonnes
Allowable Deck Load:	84 Tonnes (for 2 modules combines) 126 Tonnes (for 3 modules combined) 168 Tonnes (for 4 modules combined)
Allowable Deck Point Load:	1.5 Tonnes/m <sup>2</sup>
Draft at Zero Load:	0.46 m
Draft at Maximum Load:	1.15 m
Certification:	Small Workboat Certificates
Optional Equipment:	Winches, Anchors, Fenders, Crane Mats, Hand Railing, Spud Legs, Knuckle Boom Cranes

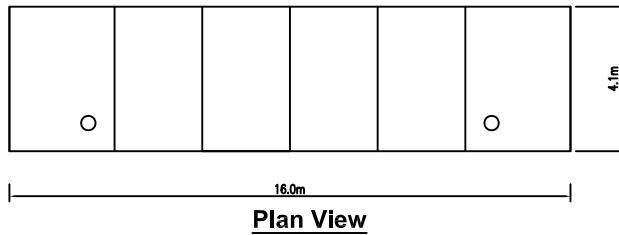


**RED7MARINE**  
MARINE CONSTRUCTION  
DIVING AND SUBSEA

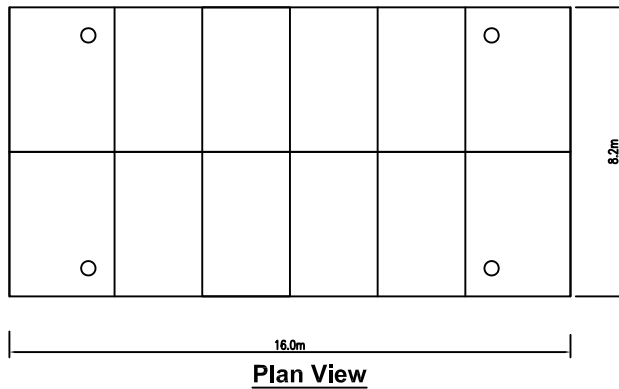
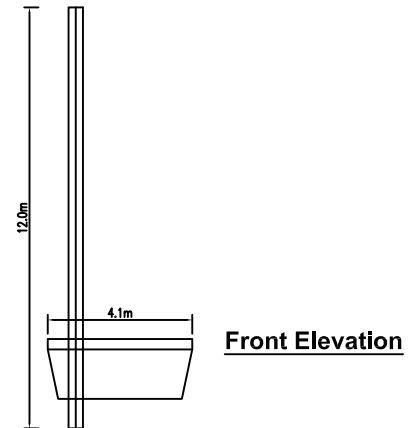
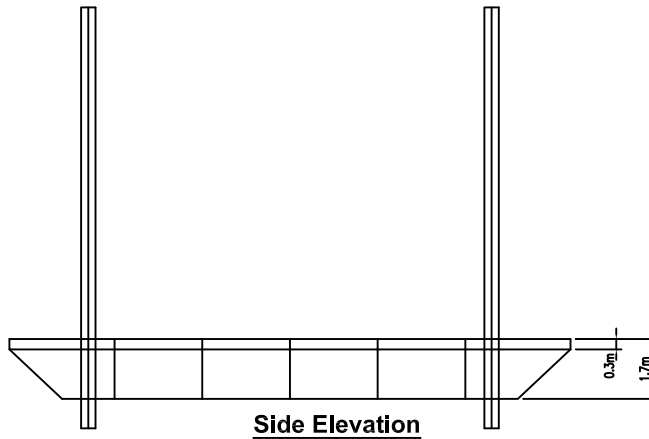
RED7MARINE LTD  
SHORE FARM  
WRABNESS  
MANNINGTREE  
CO11 2TG

**Tel:** +44 (0)1255 886710  
**Fax:** +44 (0)1255 886658  
**Email:** [enquiries@r7m.co.uk](mailto:enquiries@r7m.co.uk)  
**Web:** [www.red7marine.co.uk](http://www.red7marine.co.uk)

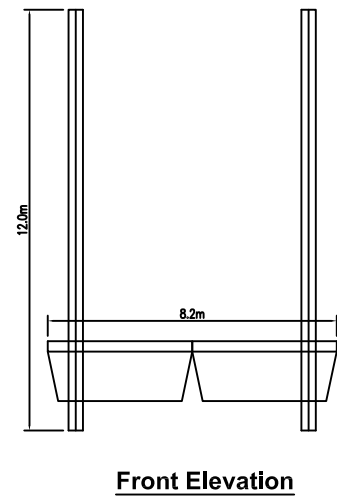
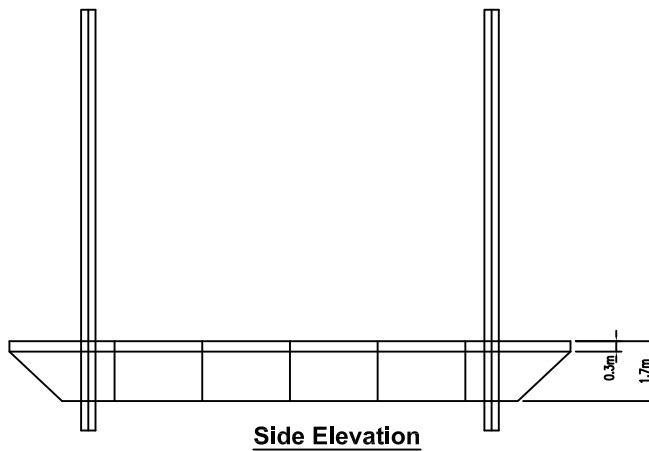
# Modular 'Red' Pontoons



Single Pontoon Setup



2 x 1 Pontoon Setup



**RED7MARINE**  
MARINE CONSTRUCTION  
DIVING AND SUBSEA

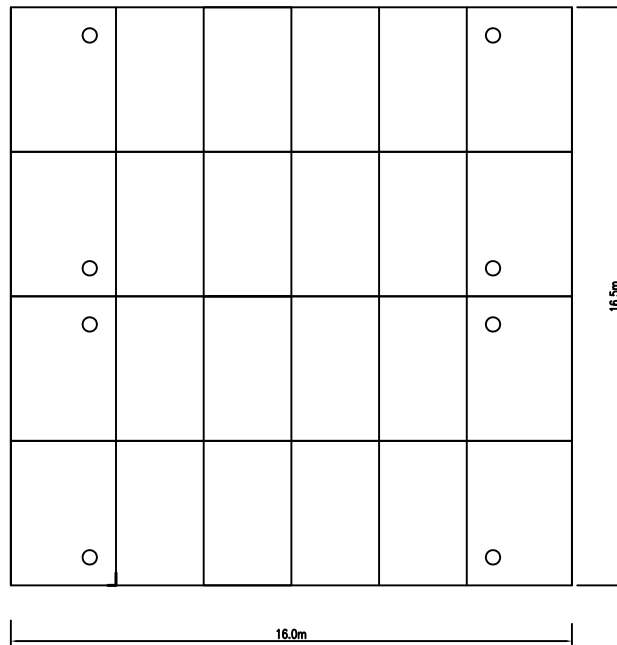
RED7MARINE LTD  
SHORE FARM  
WRABNESS  
MANNINGTREE  
CO11 2TG

**Tel:** +44 (0)1255 886710  
**Fax:** +44 (0)1255 886658  
**Email:** enquiries@r7m.co.uk  
**Web:** www.red7marine.co.uk

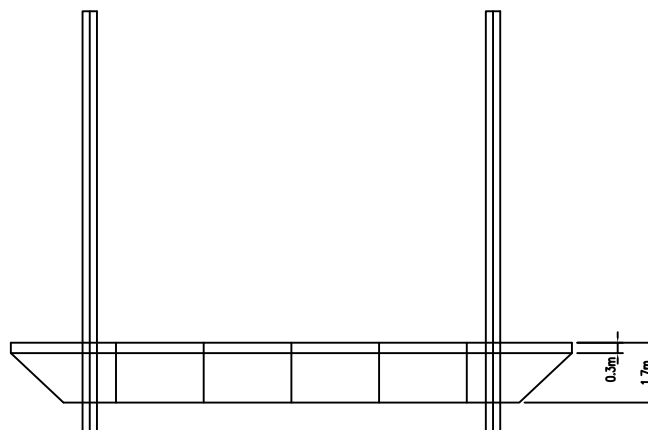
# Modular 'Red' pontoons



## 4 x 1 Pontoon Setup



Plan View



Side Elevation

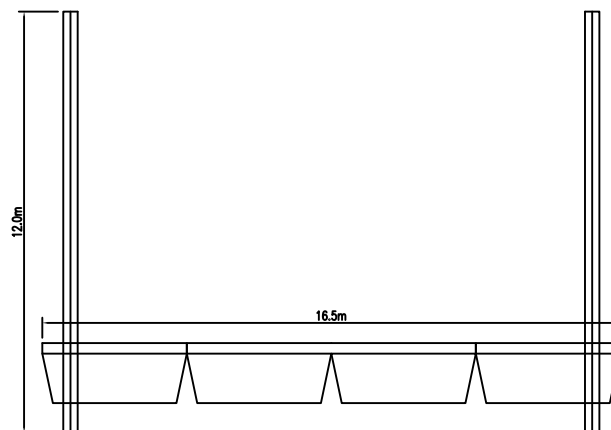


**RED7MARINE**  
MARINE CONSTRUCTION  
DIVING AND SUBSEA

RED7MARINE LTD  
SHORE FARM  
WRABNESS  
MANNINGTREE  
CO11 2TG

**Tel:** +44 (0)1255 886710  
**Fax:** +44 (0)1255 886658  
**Email:** enquiries@r7m.co.uk  
**Web:** www.red7marine.co.uk

# Modular 'Red' Pontoons



Front Elevation



**RED7MARINE**  
MARINE CONSTRUCTION  
DIVING AND SUBSEA

RED7MARINE LTD  
SHORE FARM  
WRABNESS  
MANNINGTREE  
CO11 2TG

**Tel:** +44 (0)1255 886710  
**Fax:** +44 (0)1255 886658  
**Email:** [enquiries@r7m.co.uk](mailto:enquiries@r7m.co.uk)  
**Web:** [www.red7marine.co.uk](http://www.red7marine.co.uk)