

# Haven Seaway



Type of vessel:	Mono-hull Jack Up Barge
Length o.a.:	18 m
Breadth o.a.:	15 m
Depth o.a. Hull:	3 m
Deck Area	150 m <sup>2</sup>
Max Leg Length:	34 m
Leg Diameter:	1.2 m
Single Jack Capacity	140 Tonnes
Jacking Stroke	1.5 m
Average Jacking Speed	15 m/hour
Gross Tonnage:	209 GT
Lightship Weight:	405 Tonnes
Allowable Deck Load:	150 Tonnes
Allowable Deck Point Load:	15 Tonnes/m <sup>2</sup>
Certification:	MCA Workboat Radio Licence
Standard Equipment:	Mess Room, Workshop, Twin 150 kva & 35 kva Harbour Set Generators, Fuel Bunker, Navigation Shapes and Lights, Bollards, Handrails, Moon Pool, 5 Tonne Hydraulic Winches.
Optional Equipment:	Access Walkways, Cantilever Platforms, Knuckle Boom Cranes.

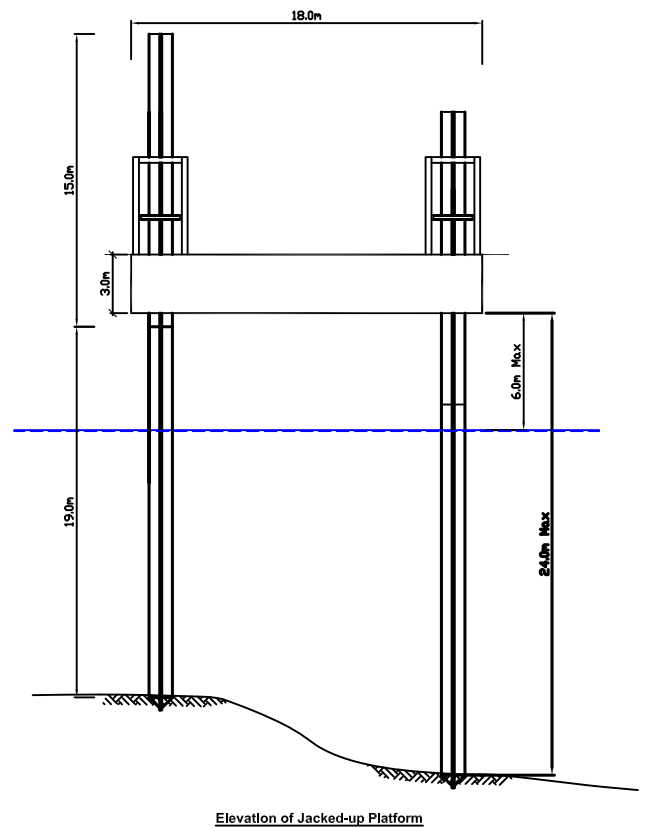
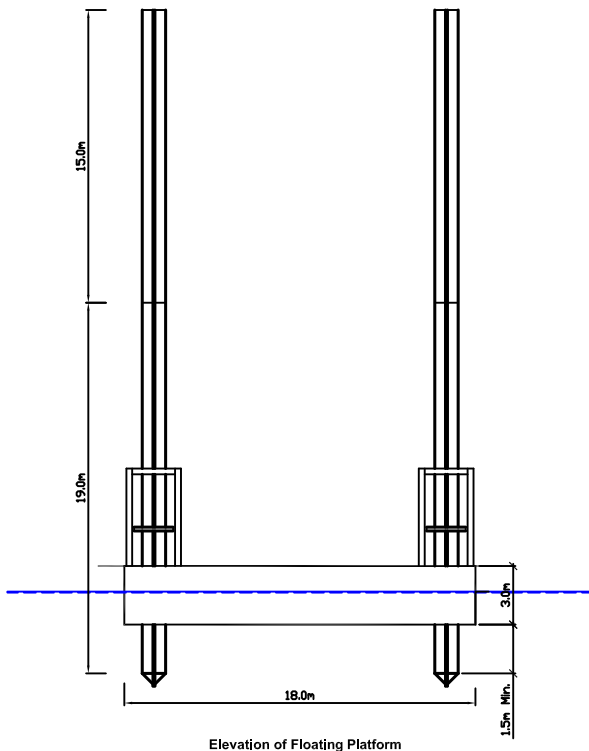
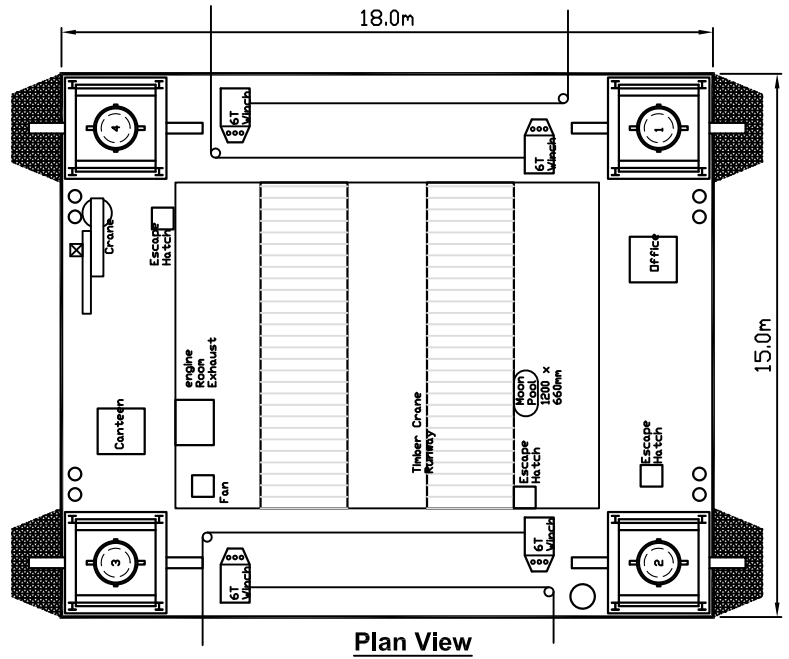


**RED7MARINE**  
MARINE CONSTRUCTION  
DIVING AND SUBSEA

RED7MARINE LTD  
SHORE FARM  
WRABNESS  
MANNINGTREE  
CO11 2TG

**Tel:** +44 (0)1255 886710  
**Fax:** +44 (0)1255 886658  
**Email:** [enquiries@r7m.co.uk](mailto:enquiries@r7m.co.uk)  
**Web:** [www.red7marine.co.uk](http://www.red7marine.co.uk)

# Haven Seaway



**RED7MARINE**  
MARINE CONSTRUCTION  
DIVING AND SUBSEA

RED7MARINE LTD  
SHORE FARM  
WRABNESS  
MANNINGTREE  
CO11 2TG

**Tel:** +44 (0)1255 886710  
**Fax:** +44 (0)1255 886658  
**Email:** enquiries@r7m.co.uk  
**Web:** www.red7marine.co.uk

# Haven Seajack 1



Type of vessel:	Modular Jack Up Barge
Length o.a.:	18 m
Breadth o.a.:	18 m
Depth o.a. Hull:	1.52 m
Deck Area	288 m <sup>2</sup>
Max Leg Length:	27 m
Leg Diameter:	0.76 m
Single Jack Capacity	80 Tonnes
Jacking Stroke	1.5 m
Average Jacking Speed	15 m/hour
Gross Tonnage:	107 GT
Lightship Weight:	200 Tonnes
Allowable Deck Load:	100 Tonnes
Allowable Deck Point Load:	15 Tonnes/m <sup>2</sup>
Certification:	MCA Workboat Radio Licence
Standard Equipment:	Cabin Mess Room, Workshop, Fuel Bowser, Navigation Shapes and Lights, Bollards, Handrails
Optional Equipment:	Access Walkways, Moon Pool, Winches, Cantilever Ladder Platforms, Generators, Knuckle Boom Cranes.

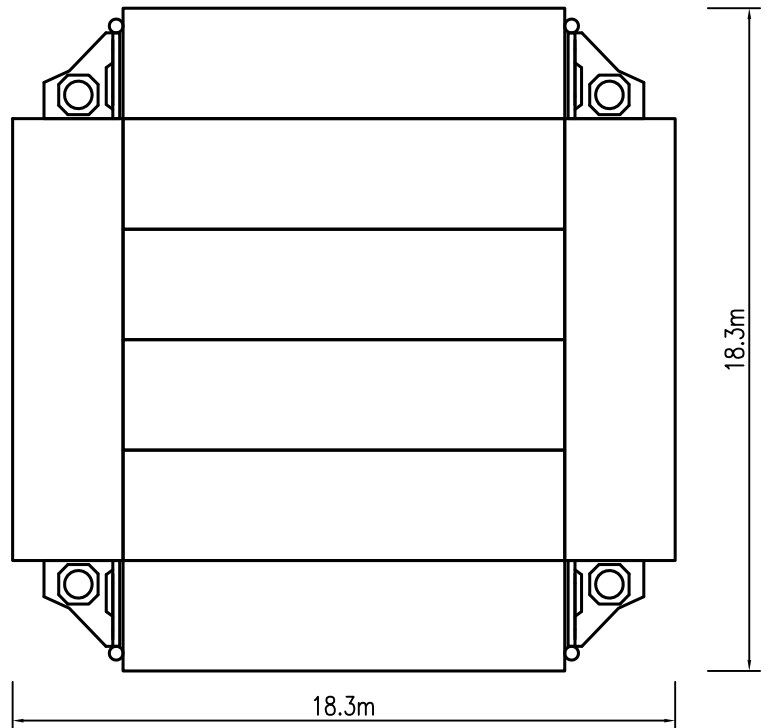


**RED7MARINE**  
MARINE CONSTRUCTION  
DIVING AND SUBSEA

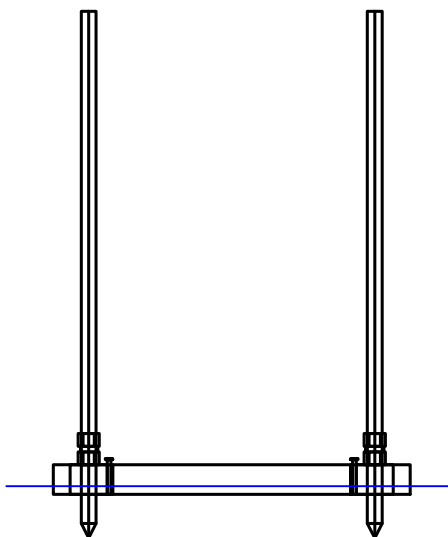
RED7MARINE LTD  
SHORE FARM  
WRABNESS  
MANNINGTREE  
CO11 2TG

**Tel:** +44 (0)1255 886710  
**Fax:** +44 (0)1255 886658  
**Email:** [enquiries@r7m.co.uk](mailto:enquiries@r7m.co.uk)  
**Web:** [www.red7marine.co.uk](http://www.red7marine.co.uk)

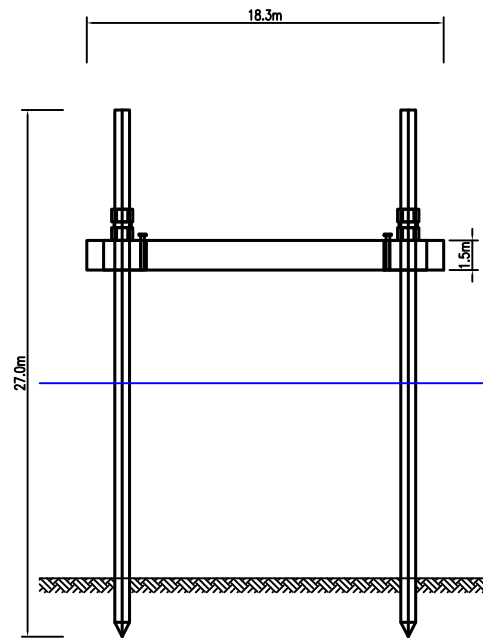
# Haven Seajack 1



**Plan View**



Elevation of Floating Platform



Elevation of Jacked-up Platform



**RED7MARINE**  
MARINE CONSTRUCTION  
DIVING AND SUBSEA

RED7MARINE LTD  
SHORE FARM  
WRABNESS  
MANNINGTREE  
CO11 2TG

**Tel:** +44 (0)1255 886710  
**Fax:** +44 (0)1255 886658  
**Email:** enquiries@r7m.co.uk  
**Web:** www.red7marine.co.uk

# Haven Seajack 2 & 3



Type of vessel:	Modular Jack Up Barge
Length o.a.:	18 m
Breadth o.a.:	12 m
Depth o.a. Hull:	1.52 m
Deck Area	216 m <sup>2</sup>
Max Leg Length:	27 m
Leg Diameter:	0.76 m
Single Jack Capacity	80 Tonnes
Jacking Stroke	1.5 m
Average Jacking Speed	15 m/hour
Gross Tonnage:	80 GT
Lightship Weight:	180 Tonnes
Allowable Deck Load:	80 Tonnes
Allowable Deck Point Load:	15 Tonnes/m <sup>2</sup>
Certification:	MCA Workboat Radio Licence
Standard Equipment:	Cabin Mess Room, Workshop, Fuel Bowser, Navigation Shapes and Lights, Bollards, Handrails
Optional Equipment:	Access Walkways, Moon Pool, Winches, Cantilever Ladder Platforms, Generators, Knuckle Boom Cranes.

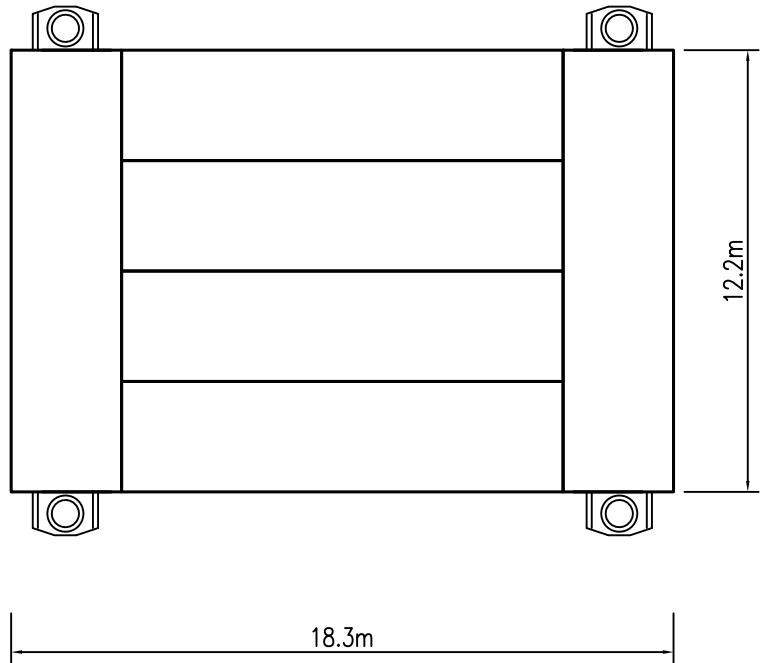


**RED7MARINE**  
MARINE CONSTRUCTION  
DIVING AND SUBSEA

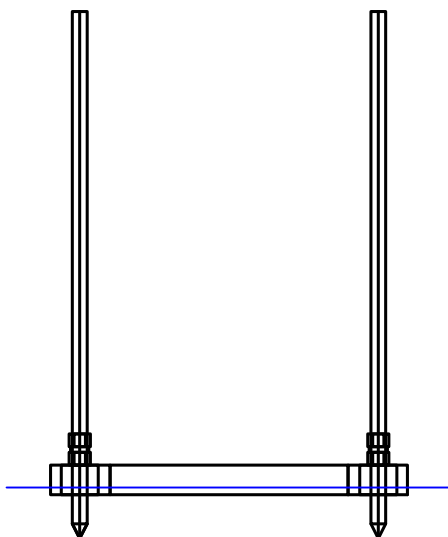
RED7MARINE LTD  
SHORE FARM  
WRABNESS  
MANNINGTREE  
CO11 2TG

**Tel:** +44 (0)1255 886710  
**Fax:** +44 (0)1255 886658  
**Email:** [enquiries@r7m.co.uk](mailto:enquiries@r7m.co.uk)  
**Web:** [www.red7marine.co.uk](http://www.red7marine.co.uk)

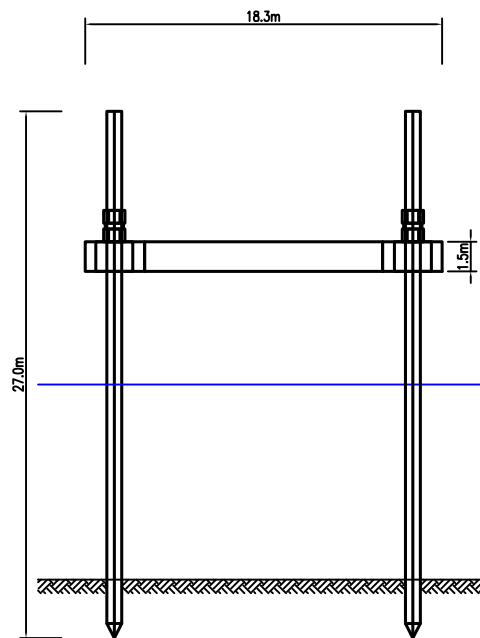
# Haven Seajack 2 & 3



**Plan View**



Elevation of Floating Platform



Elevation of Jacked-up Platform



**RED7MARINE**  
MARINE CONSTRUCTION  
DIVING AND SUBSEA

RED7MARINE LTD  
SHORE FARM  
WRABNESS  
MANNINGTREE  
CO11 2TG

**Tel:** +44 (0)1255 886710  
**Fax:** +44 (0)1255 886658  
**Email:** enquiries@r7m.co.uk  
**Web:** www.red7marine.co.uk

# Haven Seajack 4



Type of vessel:	Modular Jack Up Barge
Length o.a.:	18 m
Breadth o.a.:	12 m
Depth o.a. Hull:	1.52 m
Deck Area	216 m <sup>2</sup>
Max Leg Length:	27 m
Leg Diameter:	0.76 m
Single Jack Capacity	80 Tonnes
Jacking Stroke	1.5 m
Average Jacking Speed	15 m/hour
Gross Tonnage:	80 GT
Lightship Weight:	180 Tonnes
Allowable Deck Load:	80 Tonnes
Allowable Deck Point Load:	15 Tonnes/m <sup>2</sup>
Certification:	MCA Workboat Radio Licence
Standard Equipment:	Cabin Mess Room, Workshop, Fuel Bowser, Navigation Shapes and Lights, Bollards, Handrails
Optional Equipment:	Access Walkways, Moon Pool, Winches, Cantilever Ladder Platforms, Generators, Knuckle Boom Cranes.

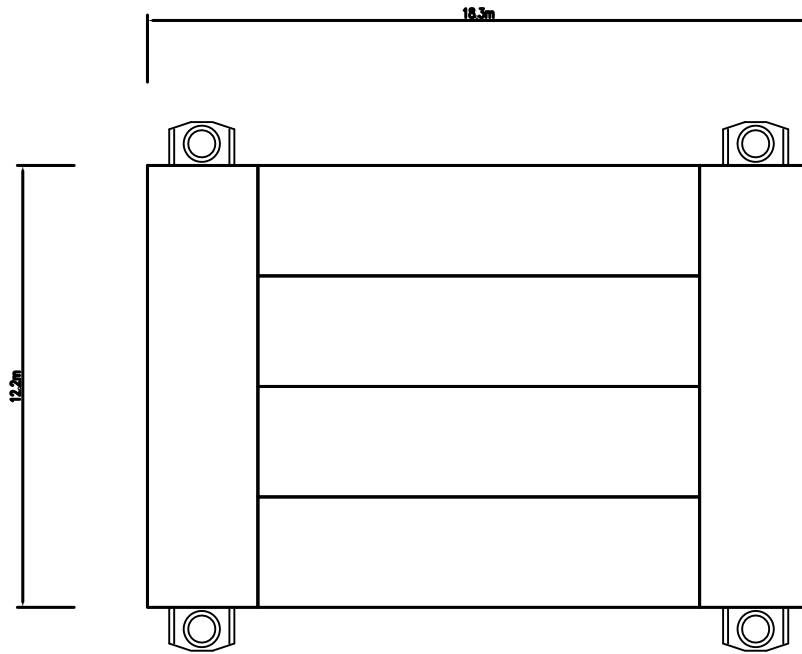


**RED7MARINE**  
MARINE CONSTRUCTION  
DIVING AND SUBSEA

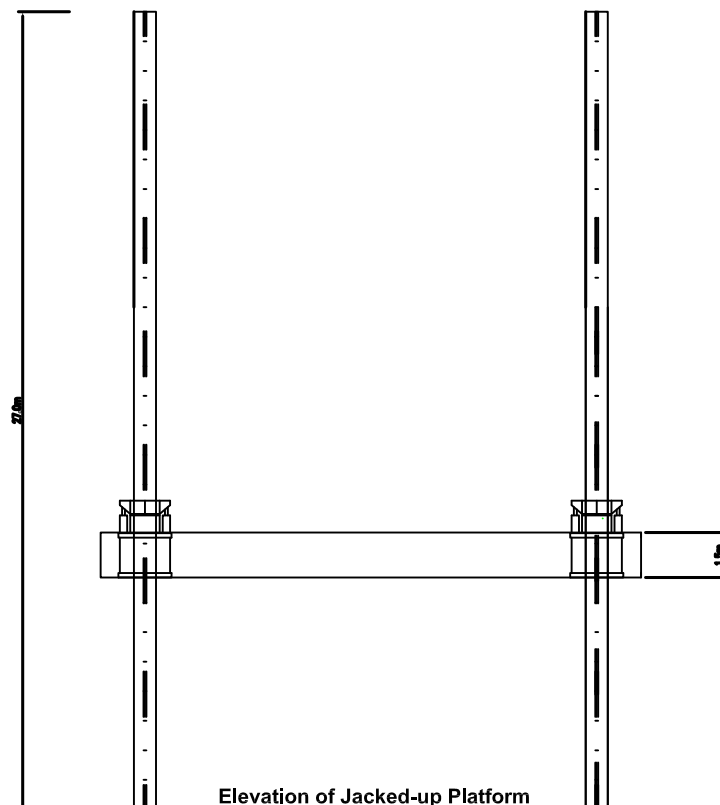
RED7MARINE LTD  
SHORE FARM  
WRABNESS  
MANNINGTREE  
CO11 2TG

**Tel:** +44 (0)1255 886710  
**Fax:** +44 (0)1255 886658  
**Email:** [enquiries@r7m.co.uk](mailto:enquiries@r7m.co.uk)  
**Web:** [www.red7marine.co.uk](http://www.red7marine.co.uk)

# Haven Seajack 4



Plan View



Elevation of Jacked-up Platform



**RED7MARINE**  
MARINE CONSTRUCTION  
DIVING AND SUBSEA

RED7MARINE LTD  
SHORE FARM  
WRABNESS  
MANNINGTREE  
CO11 2TG

**Tel:** +44 (0)1255 886710  
**Fax:** +44 (0)1255 886658  
**Email:** [enquiries@r7m.co.uk](mailto:enquiries@r7m.co.uk)  
**Web:** [www.red7marine.co.uk](http://www.red7marine.co.uk)